

4

3

2

1

D

D

C

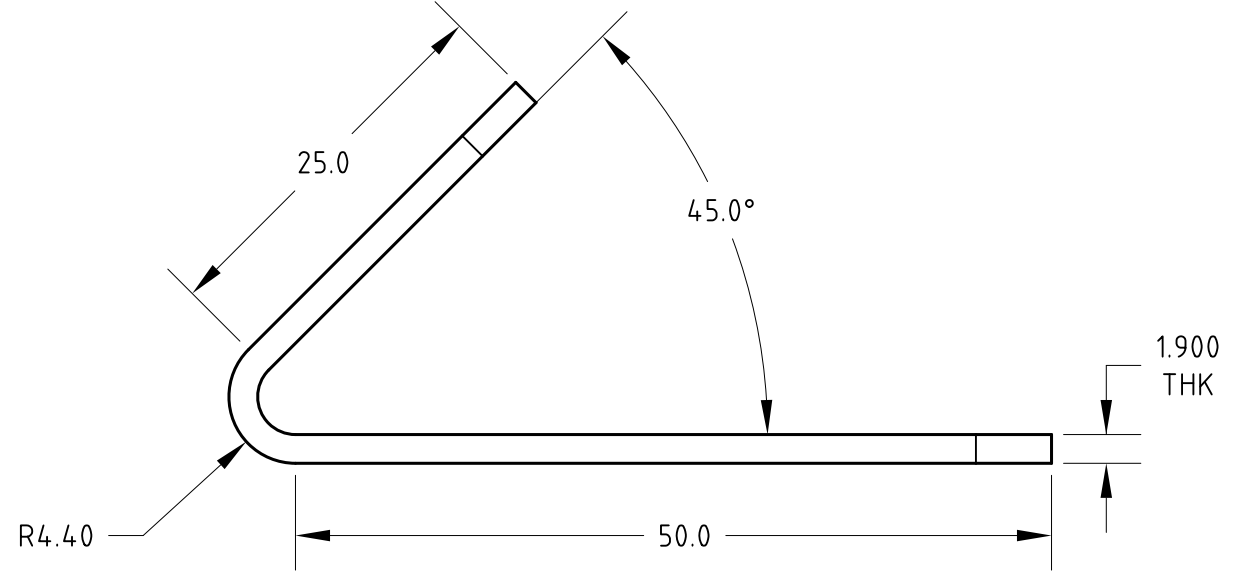
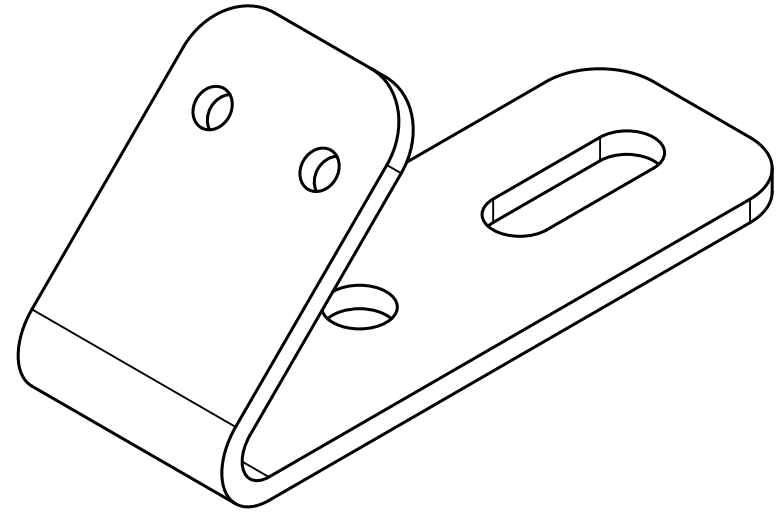
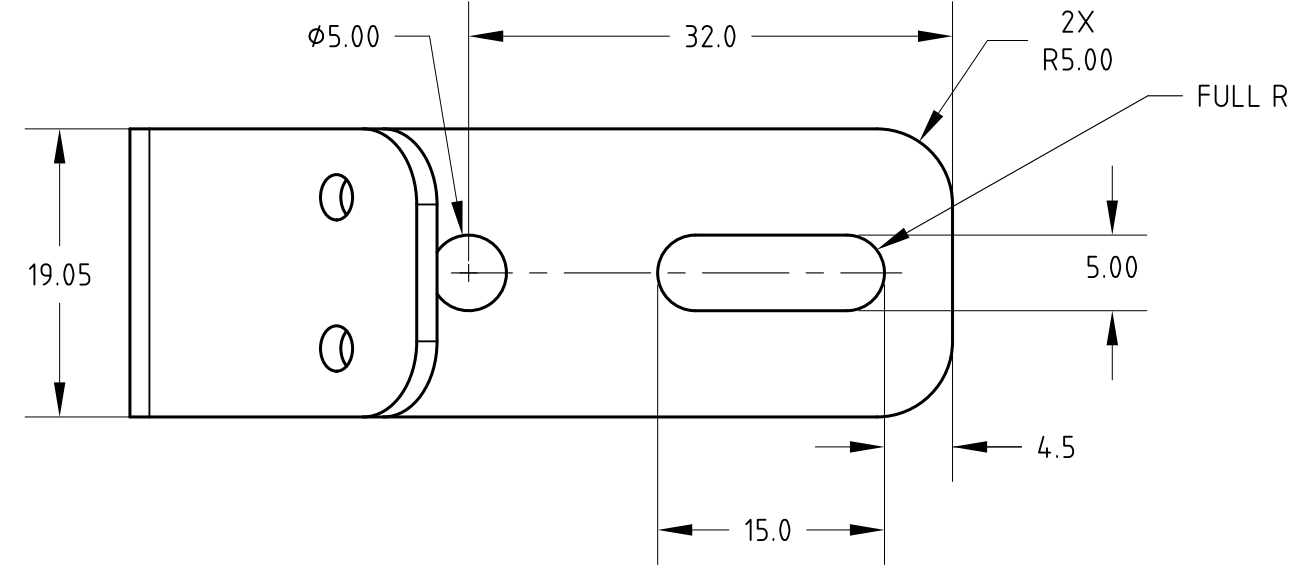
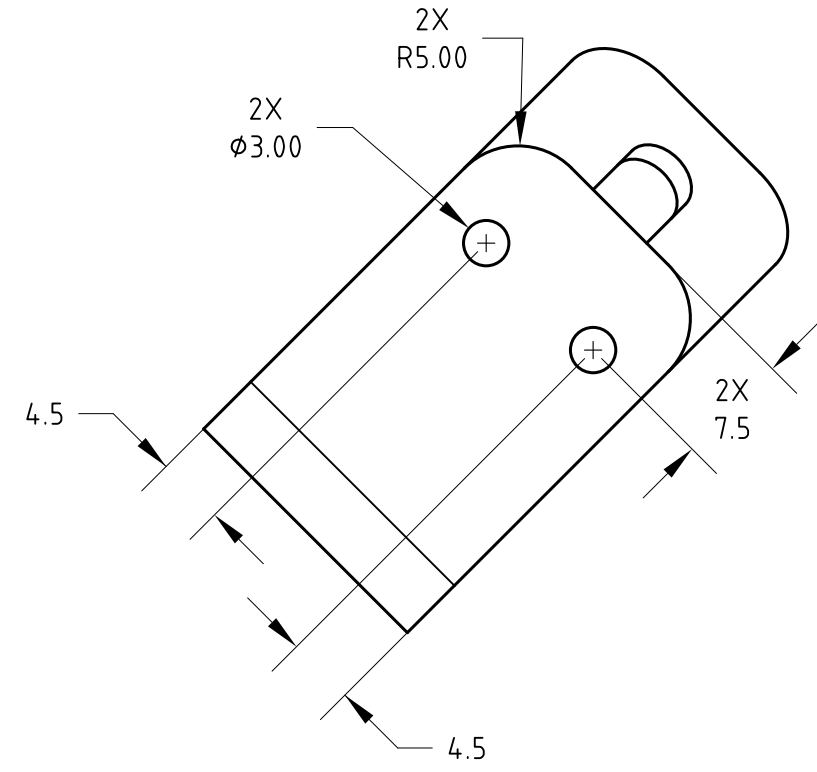
C

B

B

A

A



UNLESS OTHERWISE SPECIFIED,
DIMENSIONS ARE IN MILLIMETERS
NO DECIMAL = ±1
.X = ±.05 ANGULAR ± °
.XX = ±.015

SURFACE FINISH ✓

DO NOT SCALE DRAWING

BREAK ALL SHARP EDGES AND REMOVE
BURRS

THIRD ANGLE PROJECTION

	NAME	DATE
DRAWN	Aya Suzuki	08/10/2016
CHECKED		
APPROVED		
MATERIAL		FINISH

Part 5 Drawing - Week 2		
TITLE BRACKET, METRIC		
SIZE B	DWG NO. -----	REV. -
SCALE	WEIGHT	SHEET 1 of 1

4

3

2

1